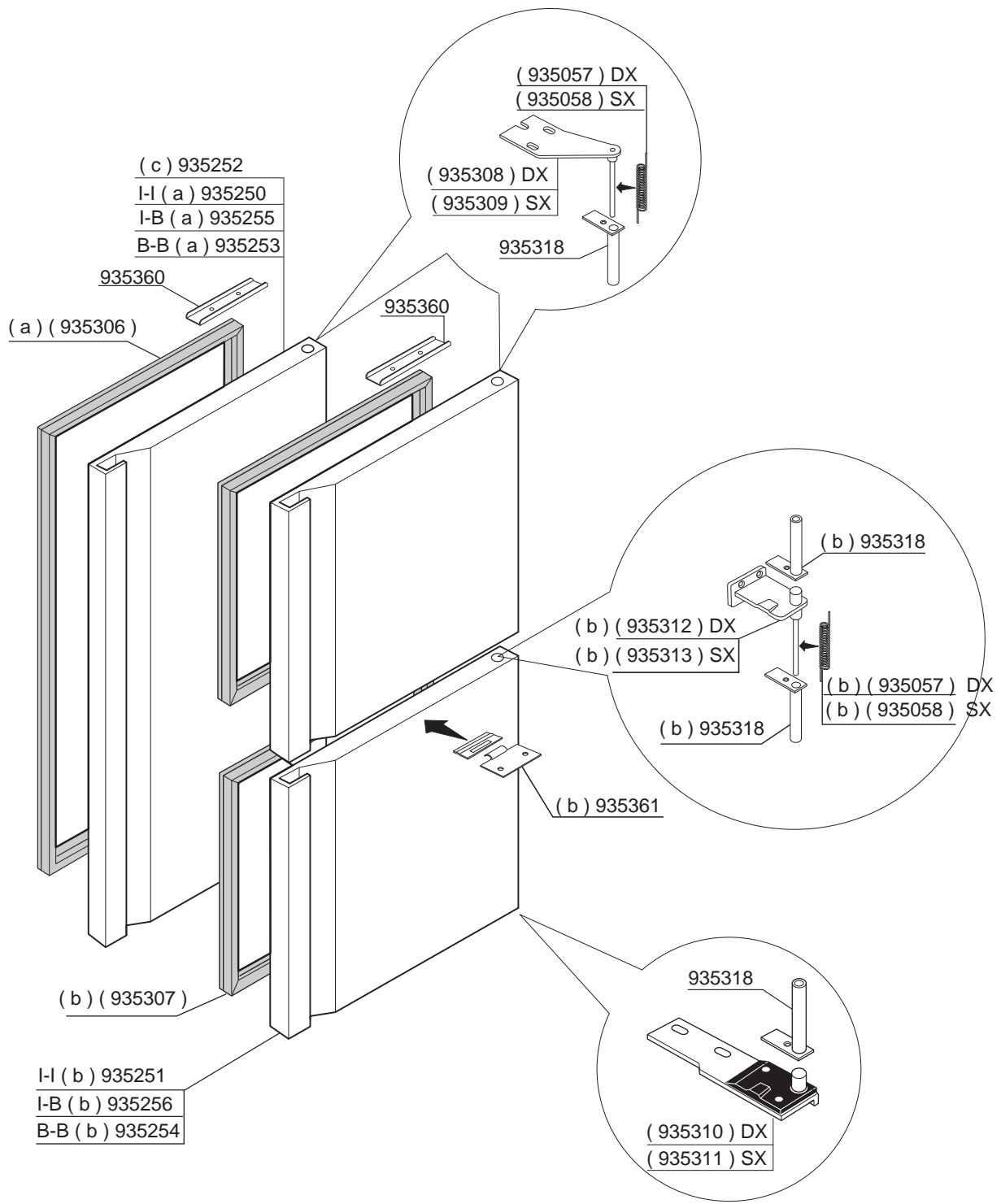


● GN 2/1 - GN 2/1
○ GN 2/1 - RIDOTTO - GN 2/1 REDUCED

* 995011-995012 -> F20070927000020
* F20070927000020 -> 930269

(.....) **RICAMBIO CONSIGLIATO**
(.....) **SUGGESTED SPARE-PARTS**

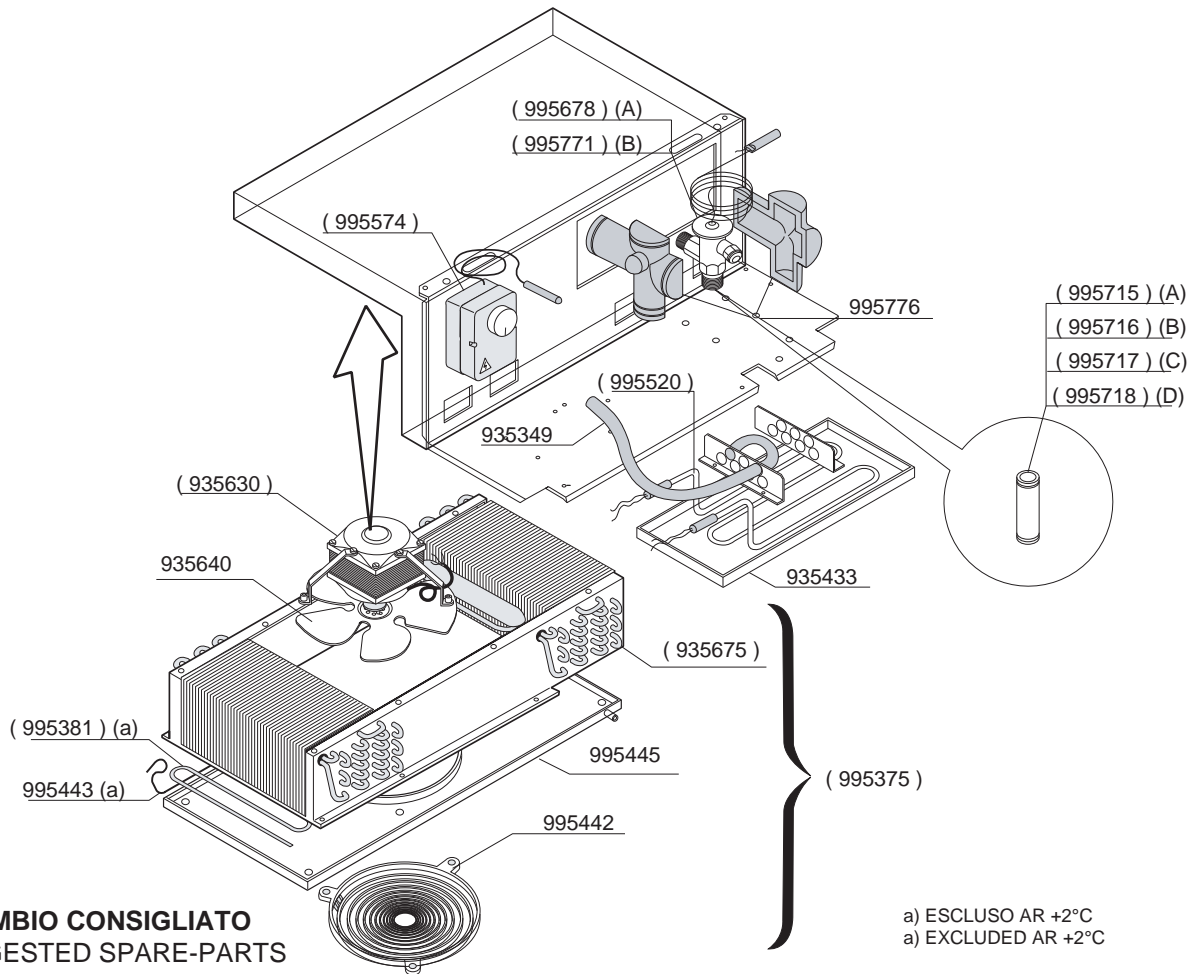
ARMADIO PER PASTICCERIA CONFECTIONERY REFRIGERATING CABINET	RIF. REF.	Da matricola n° From serial n°
		930302/113
 33083 TAIEDO DI CHIONS PORDENONE - ITALY	RIPRODUZIONE, ANCHE PARZIALE, VIETATA ESP1001-(02)	

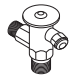

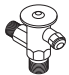



(I) = INOX - STAINLESS/STEEL
 (B) = BIANCO - WHITE

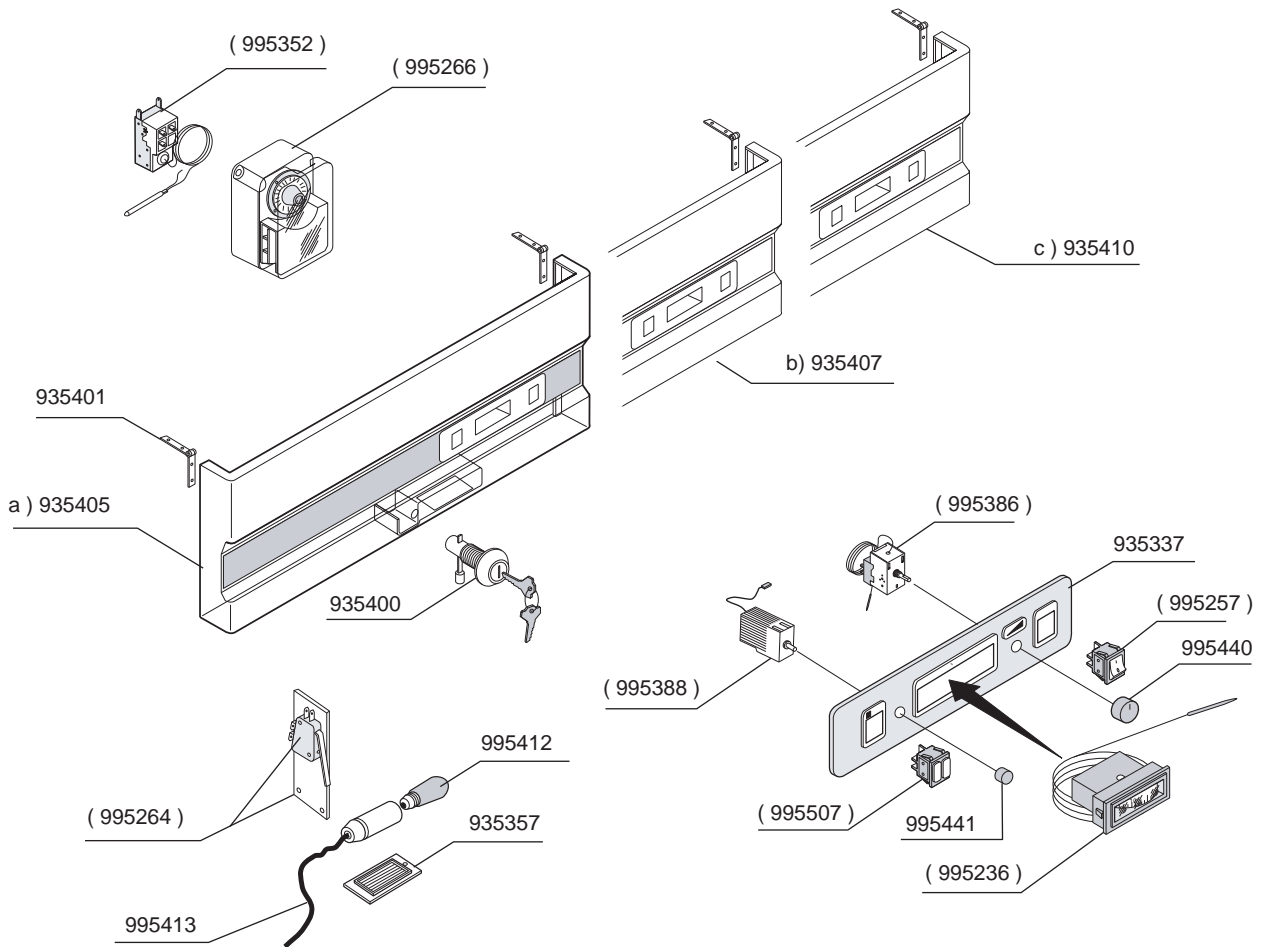
(.....) **RICAMBIO CONSIGLIATO**
 (.....) **SUGGESTED SPARE-PARTS**

PORTE CIECHE SOLID DOORS		RIF. REF.	Da matricola n° From serial n°
a	PORTA INTERA FULL DOOR		930302/113
b	PORTA MEZZA HALF DOOR		
c	PORTA INTERA PASTICCERIA PROFONDITA' 700 - FULL DOOR CONFECTIONERY DEPTH 700		
friulinox 33083 TAIEDO DI CHIONS PORDENONE - ITALY		RIPRODUZIONE, ANCHE PARZIALE, VIETATA ESP1001-(11)	



ARMADI 1 TEMPERATURA ONE TEMPERAT.CABINETS			ARMADI 2 TEMPERATURE TWO TEMPERAT.CABINETS					
								
AR12 +2	A	A	ARR212	① A	A			
AR12 -2	A	A		② /	/			
AR12 PA	A	A	ARP212	① A	A			
AR12 +2 VTR	A	A		② /	/			
AR12 -2 VTR	A	A	ARF212	① A	A			
AF12 -20	B	B		② /	/			
AF12 PA	B	B	ARP211	① A	A			
AR12 -20VTR	B	C		② /	/			
AR14 +2	A	A	ARF211	① A	A			
AR14 -2	A	A		② /	/			
AR14 +2 VTR	A	A	ARR212 VTR	① A	A			
AR14 -2 VTR	A	A		② /	/			
AR14 PIZ	A	A	ARF VTR	① A	A			
AR14 S/V	A	A		② /	/			
AR14 PA	A	A						
AP14 -4	A	A						
AE14	A	A						
AF14	B	B						
AR21 +2 VTR	A	B						
AR21 -2 VTR	A	B						
AR21 S/V	A	B						
AP21 -4	A	B						
AE21	A	D						
AR21 +2	A	B						
AR21 -2	A	B						

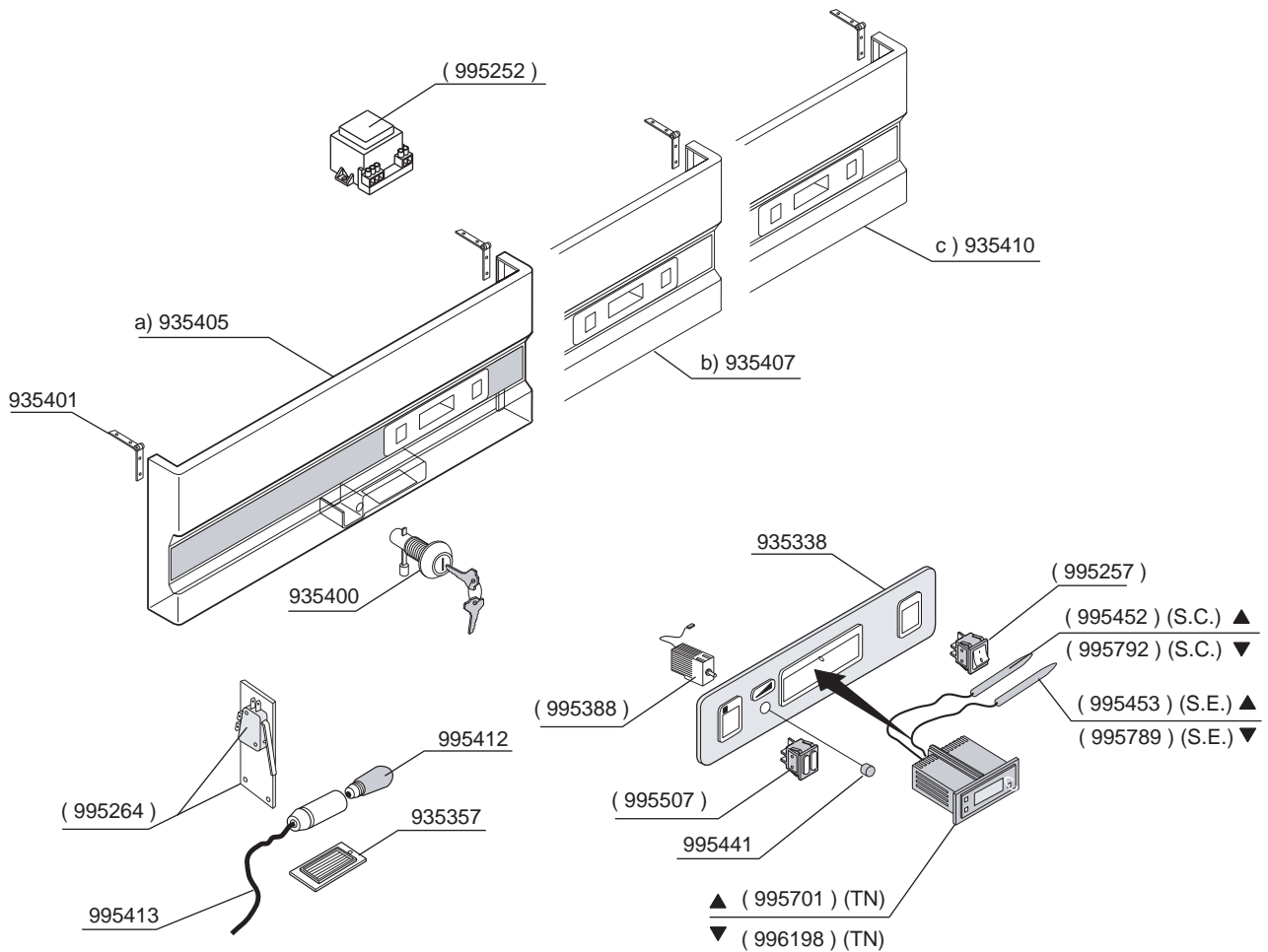
UNITA' EVAPORATRICE ARMADI PREDISPOSTI EVAPORATING UNIT OF REMOTE CONTROLLED REFR. CABINETS		RIF. REF.	Da matricola n From serial n
		R134a R404A	951016/111



- a) AR 600/AR 700
- b) AR 1200/AR 1400
- c) AR 2100

(.....) RICAMBIO CONSIGLIATO
(.....) SUGGESTED SPARE-PARTS

PANNELLO COMANDI ARMADIO"AR"PASTICCERIA / STATICO VENTILATO MECCANICO CONTROL PANEL FOR "NORMAL TEMP." MECH.CONFECTIONERY STATIC/AIR FORCED CABINET		RIF. REF.	Da matricola n° From serial n°
			930302/113



- a) AR 600/AR700
- b) AR 1200/AR 1400
- c) AR 2100

- ▲ S.E - SONDA EVAPORATORE (ROSSA) - EVAPORATOR PROBE (RED)
- S.C. - SONDA CELLA (GRIGIA) - CELL PROBE (GREY)
- ▼ S.E - SONDA EVAPORATORE (BLACK - DEF) - EVAPORATOR PROBE (BLACK-DEF)
- S.C. - SONDA CELLA (NERA - THERM) - CELL PROBE (BLACK-THERM)

(.....) **RICAMBIO CONSIGLIATO**
 (.....) **SUGGESTED SPARE-PARTS**

PANNELLO COMANDI "AR PASTICCERIA" STATICI VENTILATI ELETTRONICO
CONTROL PANEL FOR ELECTR. "CONFECTIONERY" STATIC/AIR FORCED REFR.CABINET

RIF.
REF.

Da matricola n°
From serial n°

EWPC

950904/111

▲

20030530000099

▼

20030603000001

